



CROWNTONKA®
Replacements Doors

Installation Manual
Walk-In Doors – Cooler/Freezer



Left hinge, single freezer door with galvanized white finish shown

For Model:

Walk-In Standard Replacement Overlap Plug Door with Frame – Single

Revised: 13 March 2023

IMPORTANT!

THIS DOOR ASSEMBLY HAS BEEN CUSTOM DESIGNED AND MANUFACTURED FOR THIS OPENING. REVIEW INSTALLATION INSTRUCTIONS THOROUGHLY ***BEFORE*** INSTALLING DOOR UNIT.

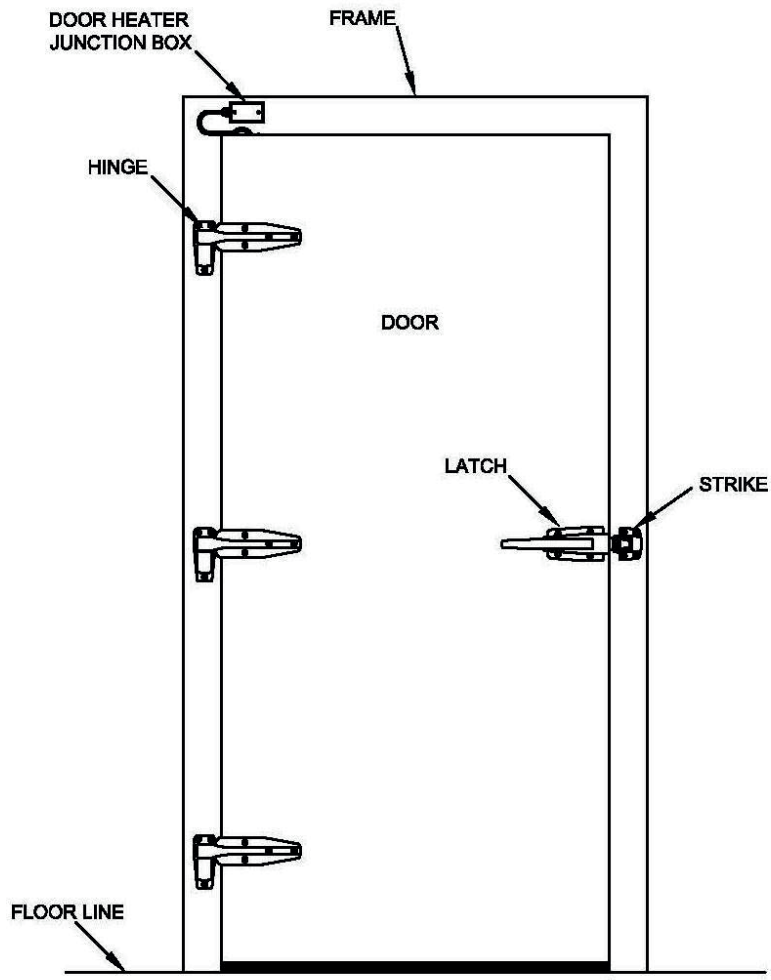
**DO NOT ATTEMPT TO
ALTER, CUT, MODIFY, REMOVE,
DIS-ASSEMBLE AND RE-ASSEMBLE
OR RE-MANUFACTURE
ANY COMPONENT
FROM ITS ORIGINAL FACTORY CONDITION!**

***ANY* MODIFICATION TO THIS DOOR ASSEMBLY
WILL VOID THE WARRANTY IN ITS ENTIRETY!**

Table of Contents

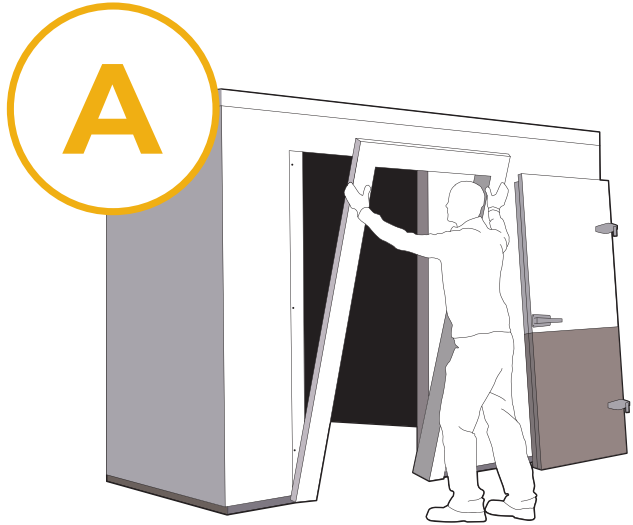
GENERAL ARRANGEMENT	4
SECTION 1	
FRAME INSTALLATION	5 – 6
SECTION 2	
DOOR SEALS	7
SECTION 3	
HEATING CABLES	8

Single Walk-In Door

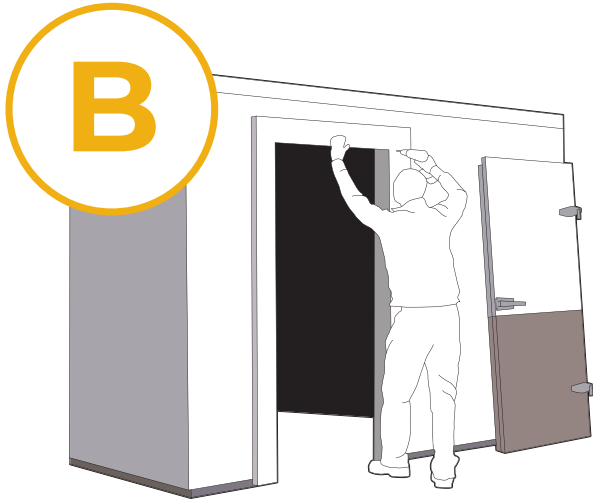


Installation

As easy as A-B-C!



Set the replacement frame in place.



Secure the door frame to the existing cooler or freezer.

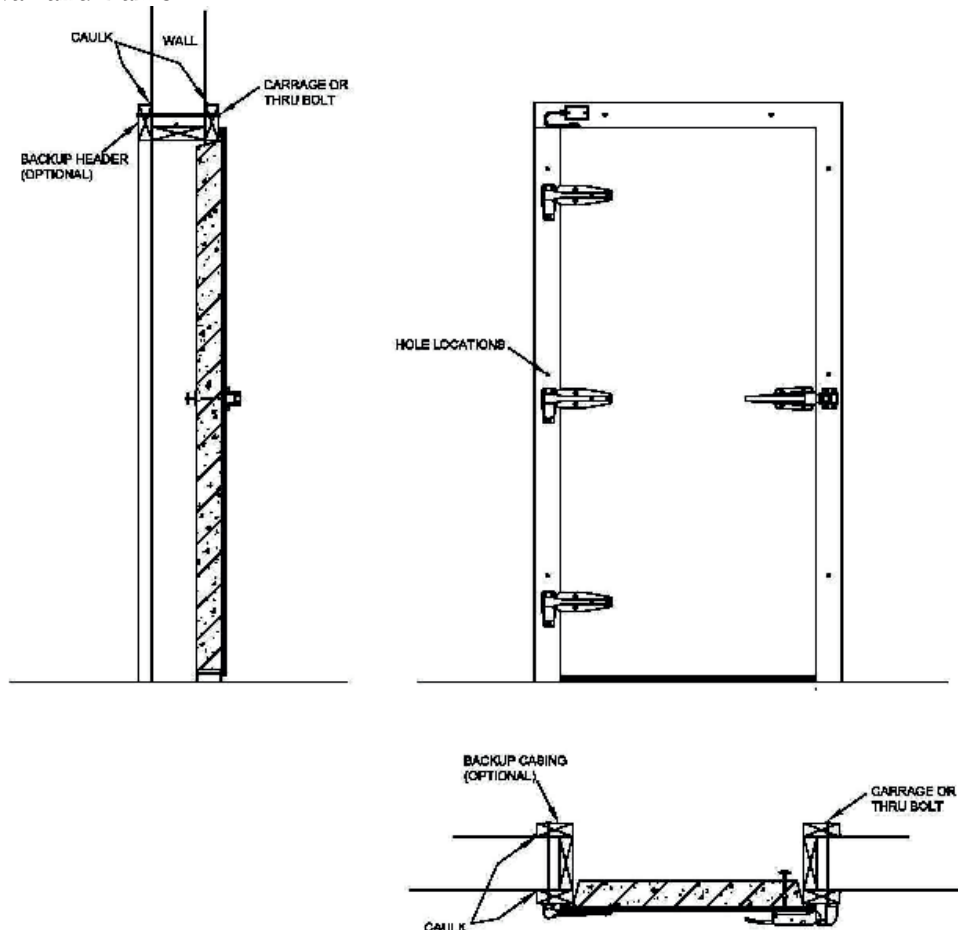


Attach the new replacement door.

FRAME INSTALLATION

This Section will discuss how to properly install the Door Frame

The frame must be installed plumb and on a horizontal plane. If the floor slopes, start by setting the frame on the high side first. Shim to raise the other side so that the top of the frame is level. If wall is not plumb, shim the frame. Proper installation depends on the frame being level and plumb. Drill 3/8" holes where shown and secure in place with carriage or thru bolts and washers. Use caulking around frame to provide vapour between wall and frame.

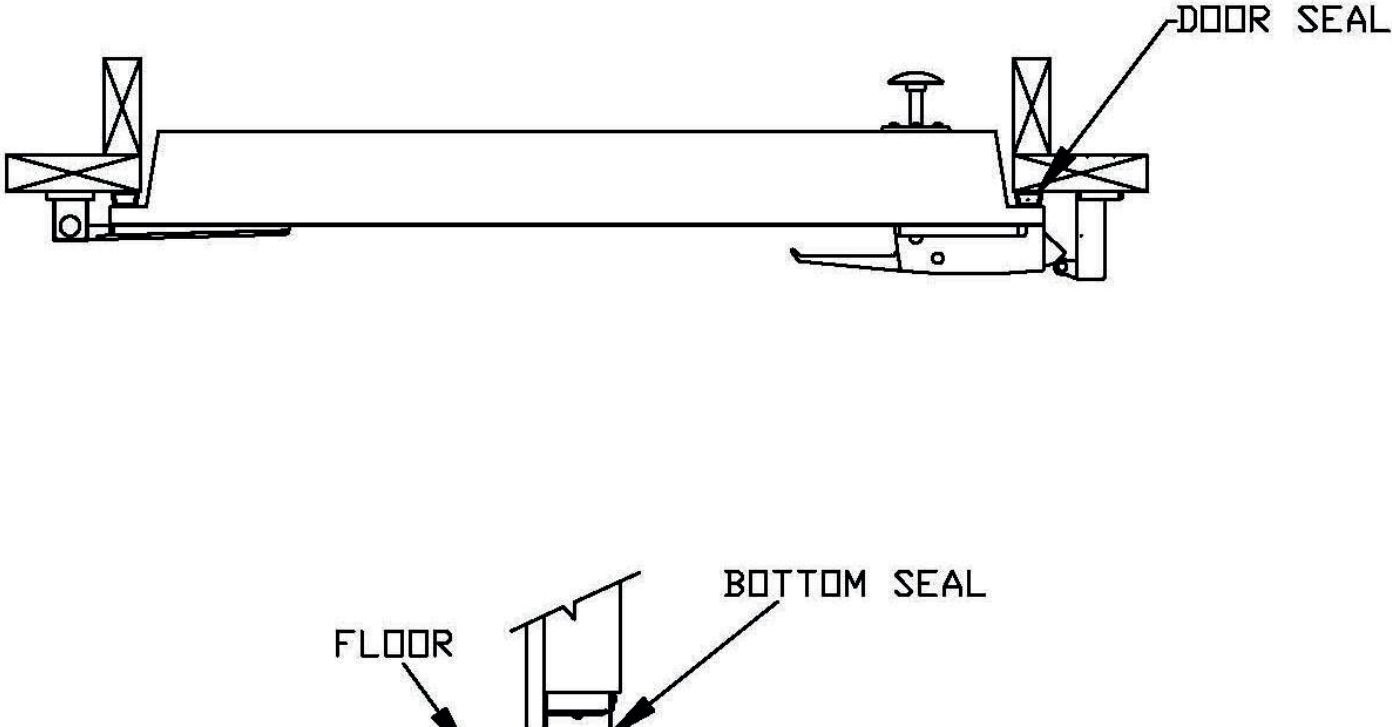


Section
2

DOOR SEAL

This Section will discuss the door seals

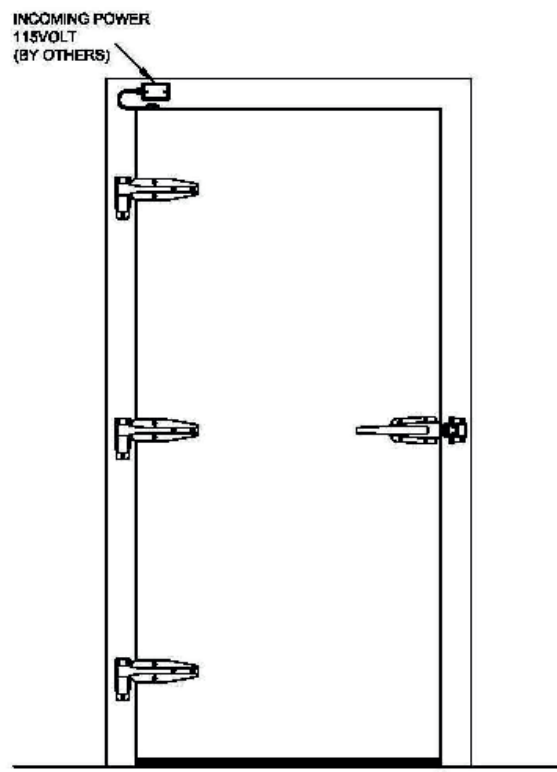
The door seals should make contact with frame and the bottom seal should contact floor with a slight crush or bend to bottom seal. A periodical check of your cold storage door seals should be done. Seals should be replaced when needed.



HEATING CABLES

This Section will discuss the electrical wiring of the freezer door heating cables.

The heating cables are only installed on freezer doors, this is to provide a thermal barrier between the door panel and the seals. Insert electrical cables on door(s) into junction box on header see illustration below. Match wires black with black, white with white and green with green. Secure with wire nuts located inside the junction box.









Proud to be family-owned.